



Industrial Assembly Solutions



Industrial Assembly Solutions



**INDUSTRIAL ASSEMBLY
SOLUTIONS**

TORERO®

COMPANY PROFILE

Taiwan Chu Dai Industrial Co., Ltd. was established in 1997 and specializes in the research and development, production, and sales of TORERO brand pneumatic and electric tools. The company mainly produces a series of products including pneumatic oil pulse torque tools, electric torque tools, clutch tools, and torque measurement equipment. It provides professional equipment and tools for the automotive industry, household appliances, energy, construction, aviation, shipbuilding, and other industrial fields.

We have a professional R&D team, which has been committed to meeting the development needs of the industrial market. We continuously develop tool series products under the TORERO brand, and have designed and improved a number of patents. In particular, we enjoy a high reputation in the manufacturing field of pneumatic/hydraulic pulse torque tools and electric torque tools.

The company adopts modern concepts and advanced methods for enterprise management, and has obtained ISO-9001 (2000) quality management system certification and CE certification. At present, the TORERO brand has become a professional supplier of tightening tools and the first choice for automobile assembly plants and professional production lines at home and abroad. The products are sold well in more than 70 countries across five continents: Europe, Asia, Oceania, Africa and the Americas, with first-class distributors and after-sales service outlets in each. We have long adhered to the goal of "striving for quality first and exceeding customer expectations", and strive to build a first-class industrial equipment manufacturing enterprise to meet the needs of the industrial market.

Our business philosophy

Integrity / Innovation / Cooperation



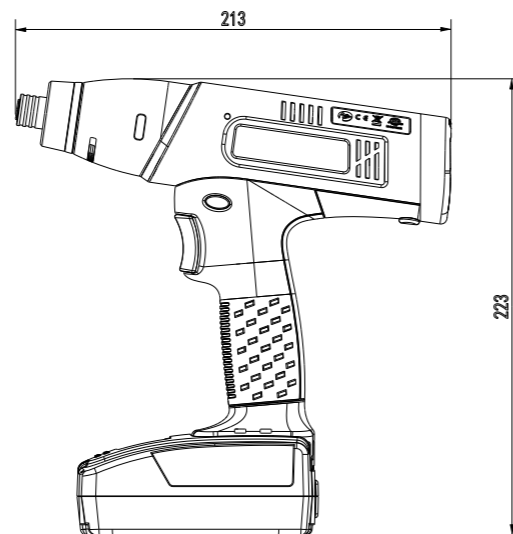
The Spirit Of The Torero

Create an International Brand, Serve Customers with Integrity
Expand Market Space, Embrace Partners Widely

Precise Research Philosophy, Innovate Product Efficiency
Sustainable Product Operations, Care for Customers Sincerely

Battery Shut-off clutch tool - Pistol type.....	1-3
Battery Shut-off clutch tool - Angle type.....	4-6
Battery Shut-off clutch tool - Special tool.....	7-12
Battery oil pulse tool.....	13-16
Battery impact tool.....	17-20
RE-BOX-D1 Bluetooth transmission controller & Bluetooth-transmitted electric Tool.....	21-24
BM-100 Controller.....	25-26
Cordless Sensor Tool - Pistol type.....	27-31
Special gear head.....	32-35
Torque testing equipment.....	36-40
Battery rubber strip pressing tool.....	41-44

Battery Shut-off clutch tool - Pistol type



- Particularly suitable for workstations requiring operational flexibility and torque range control
- Applicable to work areas where pneumatic and electric tools with air hoses or electric wires cannot be used
- Best for use in the assembly of automotive interiors
- Complies with the ISO 5393 industrial standard
- CMK > 1.67, error value ±10%

The display screen and buttons at the rear of the tool can perform programming functions



- Tightening speed setting
- Thread speed setting
- Batch count setting
- Tool information query
- Tightening record query
- Lighting switch setting
- Battery level display

Explanation of LED Indicator Lights

- Yellow:** A constant yellow light indicates low battery power, prompting the operator to replace the battery.
- Green:** A green light indicates tightening is OK and the set torque value has been reached. A green light accompanied by a long “beep” sound indicates that the number of normal tightenings has reached the quantity set for batch counting.
- Red:** A red light accompanied by a long “beep” sound indicates abnormal tightening or a tool malfunction.
- Alternating flashing of red and green lights:** indicates that the tool is in reverse rotation mode.

(Reverse torque tools need to be custom - ordered separately)

MODEL	Torque Range Nm	Drive Size	Free Speed r/min	Weight (kg) without battery	Length mm	Voltage V	Battery
LTV-40PH-2L	0.8-2.5	1/4	400(Low Speed)	1	213	18	Lithium Battery
LTV-40PH-2	0.8-2.5	1/4	1500	1	213	18	Lithium Battery
LTV-40PH-6	2.0-6.0	1/4	1000	1	213	18	Lithium Battery
LTV-40PH-8	3.0-8.0	1/4	800	1	213	18	Lithium Battery
LTV-40PH-12	5.0-12.0	1/4	600	1	213	18	Lithium Battery
LTV-40PH-12H	5.0-12.0	1/4	800(High Speed)	1	213	18	Lithium Battery
LTV-40PH-12L	5.0-12.0	1/4	200(Low Speed)	1	213	18	Lithium Battery
LTV-40PD-15	5.0-15.0	3/8	600	1	213	18	Lithium Battery
LTV-40PD-15L	5.0-15.0	3/8	200 (Special for Low - Speed Hose Clamps)	1	213	18	Lithium Battery

Reverse Torque Setting

MODEL	Torque Range Nm	Drive Size	Free Speed r/min	Weight (kg) without battery	Length mm	Voltage V	Battery
LTV-40PH-12B	5.0-12.0	1/4	600	1	213	18	Lithium Battery

Accessories



Lithium Battery (Thin Type)

MODEL	TLA-18
Voltage	18V
Capacity	2.5Ah
Weight	0.43Kg
Order Number	3P212600000



Lithium Battery (Thick Type)

MODEL	TLA-18-A
Voltage	18V
Capacity	5.0Ah
Weight	0.68Kg
Order Number	3P212590000



Charger

MODEL	TLA-1836V
Power Supply	AC100V-AC240V
Output Voltage	18/36V
Weight	0.6Kg
Order Number	3P512610000



Model Marking Color Ring

MODEL	Color Ring
LTV-40PH-2L	Gray
LTV-40PH-2	Red
LTV-40PH-6	Orange
LTV-40PH-8	Green
LTV-40PH-12	Blus
LTV-40PH-12H	Black
LTV-40PD-15	White



Tool Lifting Ring

Order Number
Order Number 3P217830000



Tool Protective Cover

Order Number
Order Number 3P212500000

Battery Shut-off clutch tool - Angle type



- Torque range: 1.8 - 100Nm series
- Applicable to work areas where pneumatic and electric tools with air hoses or wires cannot be used
- Two types of lithium batteries available: 18V and 36V
- Complies with the ISO 5393 industrial standard
- CMK > 1.67 with an error value of ±10%

Explanation of LED Indicator Lights



- Constant yellow light: Indicates low battery power, prompting the operator to replace the battery.
- Green light on: Indicates tightening is OK and the set torque value is reached.
Green light on with a long “beep” sound: Indicates the number of normal tightenings has reached the batch count setting.
- Red light on with a long “beep” sound: Indicates abnormal tightening or tool malfunction.
- Alternating flashing of red and green lights: Indicates the tool is in reverse mode.

The display screen and buttons of the tool can perform programming functions



- Tightening Speed Setting
- Thread Speed Setting
- Batch Count Setting
- Tool Information Query
- Tightening Record Query
- Lighting Switch Setting
- Battery Level Display



LTV-40SC-7



LTV-40SC-15



LTV-40SCH-30



LTV-40SC-45



LTV-40SC-60



LTV-40SC-80

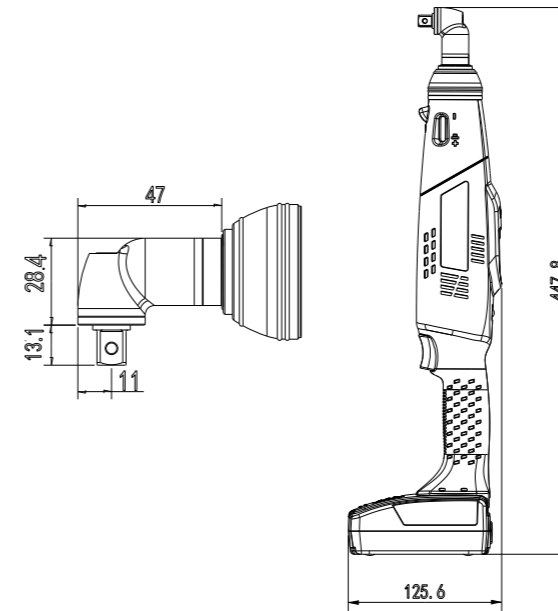


LTV-40SC-100

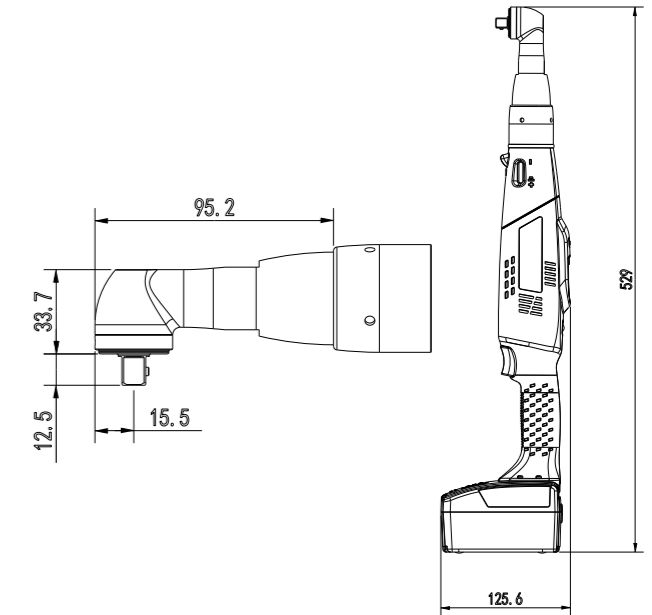
Note: It is recommended that 60Nm tools use an arm support to ensure work safety. (Reverse torque tools need to be customized separately.)

MODEL	Torque Range Nm	Drive Size	Free Speed r/min	Weight (kg) without battery	Length mm	Voltage V	Battery
LTV-40SC-2	1-1.8	3/8	800	1.15	417	18V2.5Ah	Lithium Battery
LTV-40SC-7	1.8-7	3/8	800	1.15	417	18V2.5Ah	Lithium Battery
LTV-40SC-15	4-15	3/8	500	1.15	417	18V2.5Ah	Lithium Battery
LTV-40SC-30	10-30	3/8	250	1.72	477	36V2.5Ah	Lithium Battery
LTV-40SC-45	20-45	3/8	200	1.72	487	36V2.5Ah	Lithium Battery
LTV-40SC-60	35-60	1/2	180	2.17	501	36V2.5Ah	Lithium Battery
LTV-40SC-80	45-80	1/2	140	2.17	501	36V2.5Ah	Lithium Battery
LTV-40SC-100	55-100	1/2	100	2.17	501	36V2.5Ah	Lithium Battery
LTV-40SCH-2	1-1.8	1/4	800	1.15	417	18V2.5Ah	Lithium Battery
LTV-40SCH-7	1.8-7	1/4	800	1.15	417	18V2.5Ah	Lithium Battery
LTV-40SCH-15	4-15	1/4	500	1.15	417	18V2.5Ah	Lithium Battery
LTV-40SCH-30	10-30	1/4	250	1.72	477	36V2.5Ah	Lithium Battery

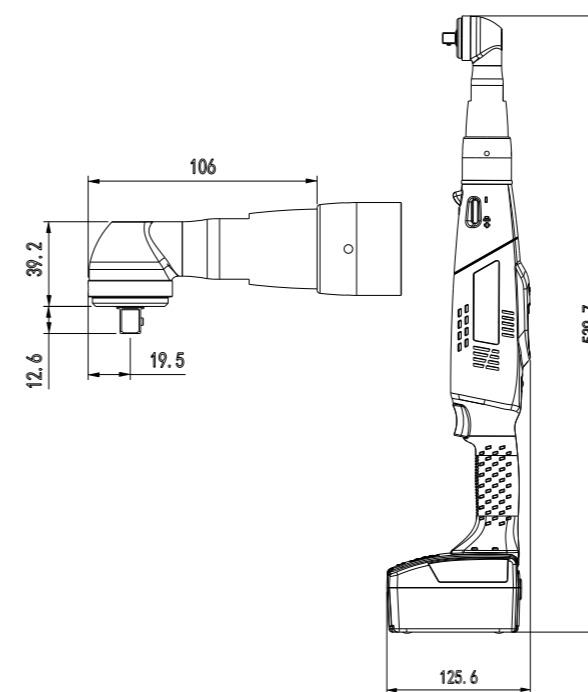
Size



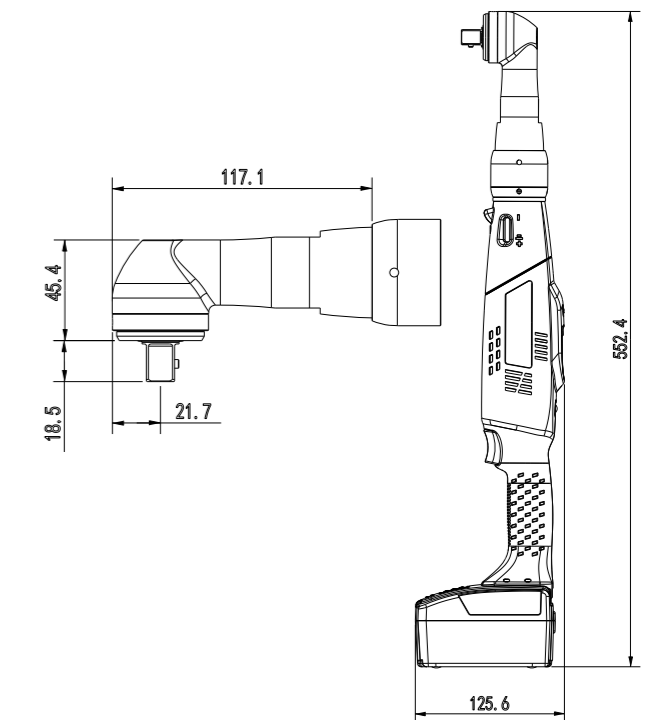
LTV-40SC-7/15



LTV-40SC-30

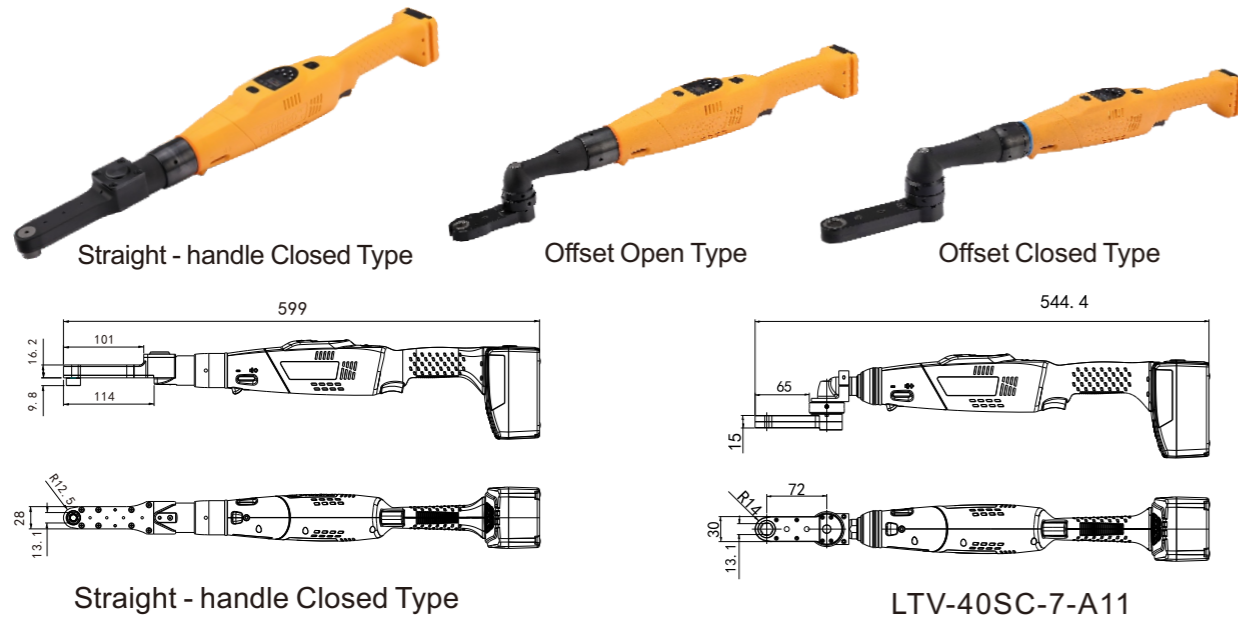


LTV-40SC-45



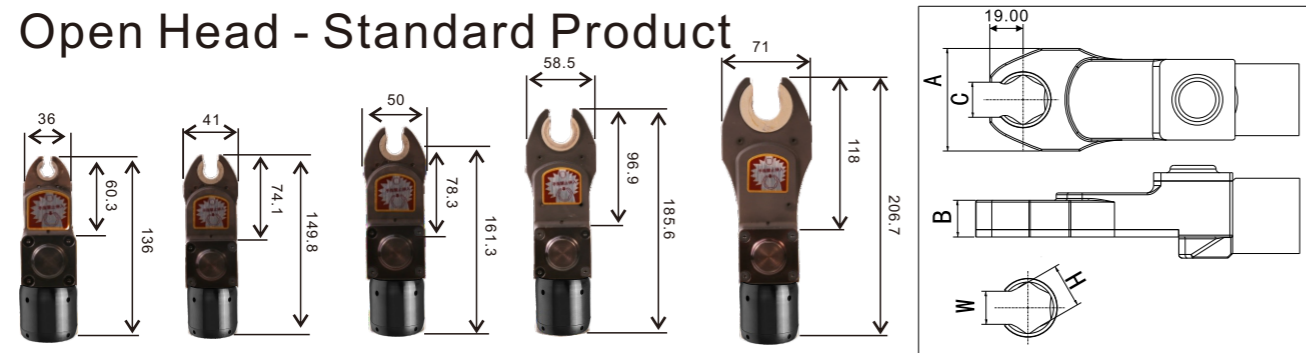
LTV-40SC-60/80/100

Battery Shut-off clutch tool - Special tool



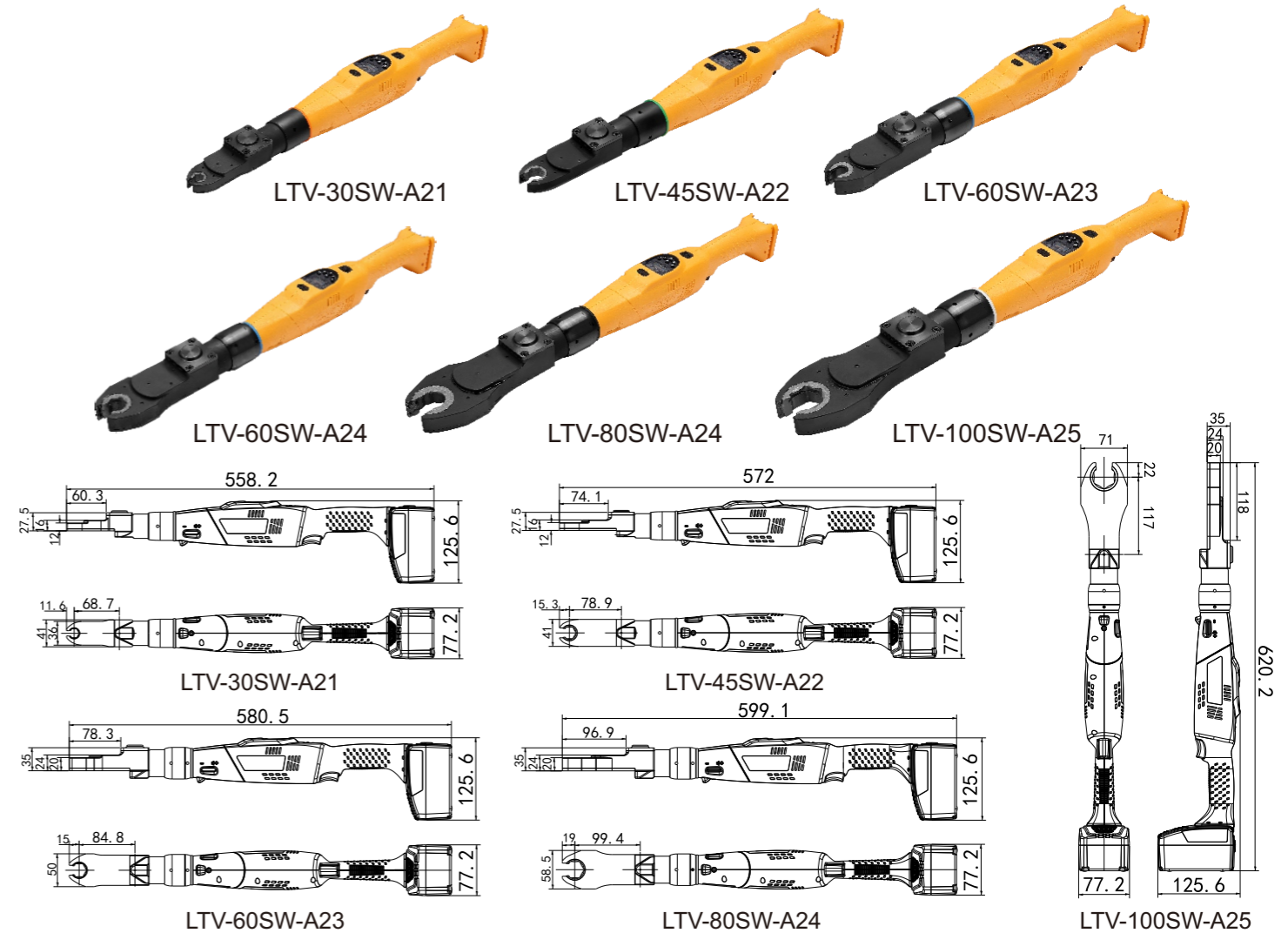
MODEL	Maximum Socket Size mm	Torque Nm	Free Speed r/min	Weight (without battery) kg	Voltage V
LTV-40SR-30	13	10-30	400	2.16	36V2.5Ah
LTV-40SC-7-A11	13	1.3-5	800	2.4	18V2.5Ah

Open Head - Standard Product



Open Head Model	Socket Size mm	Socket Size in	A [mm]	B [mm]	C [mm]	D [mm]	W [mm]	H [mm]
A21	8, 9, 10	3/8, 7/16	36	12	8	11.6	8	9-13
A22	12, 13, 14, 15, 16, 17	9/16	41	12	15	15	13	14-17
A23	16, 17, 18, 19	9/16	50	20	15	15	13	14-19
A24	19, 20, 21, 22, 23, 24	3/4, 7/8	58.5	20	20	19	18	19-24
A25	25, 26, 27, 28, 29, 30	1(1/8)	71	50	25	22	24	25-30

Straight - handle Open Type

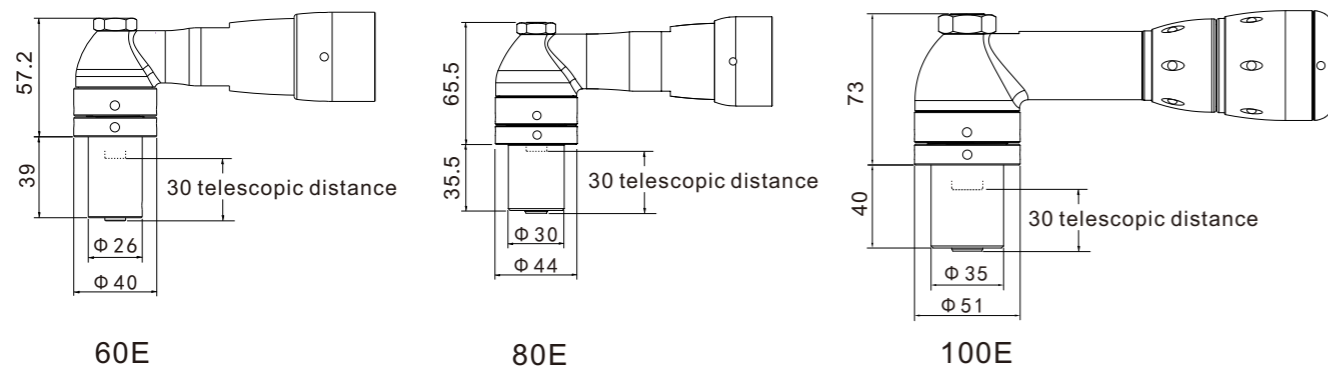


For the model, the suffix "H" represents high speed.

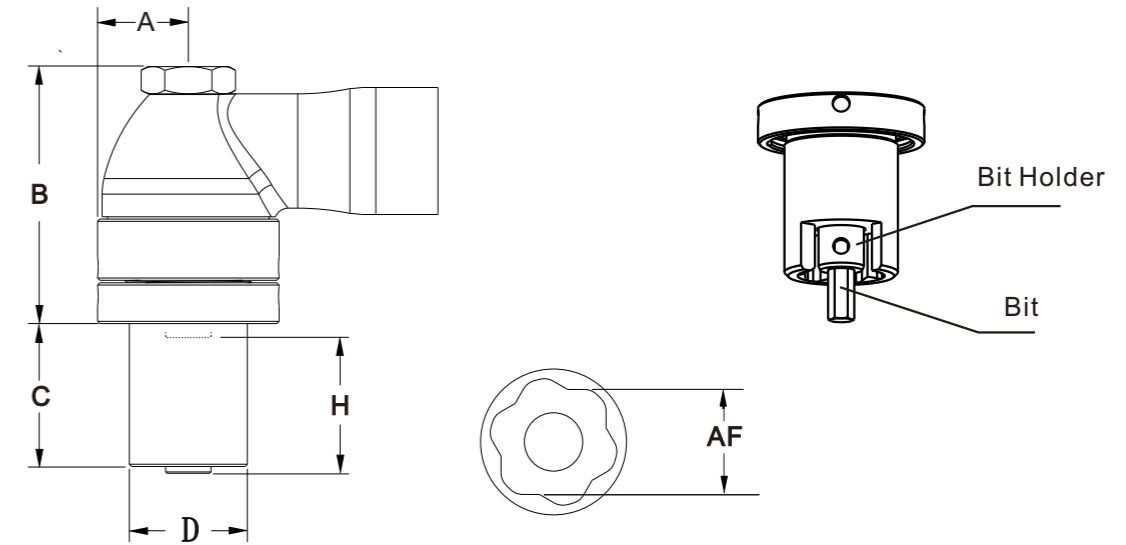
MODEL	Open Head Model	Socket Size mm	Socket Size in	Torque Nm	Free Speed r/min	Weight (without battery) kg	Voltage V
LTV-30SW-A21	A21	8, 9, 10	3/8, 7/16	10-25	100	2.01	36V2.5Ah
LTV-30SW-A21H	A21	8, 9, 10	3/8, 7/16	4-10	450	2.02	36V2.5Ah
LTV-45SW-A22	A22	12, 13, 14, 15, 16, 17	9/16	23-36	90	2.07	36V2.5Ah
LTV-45SW-A22H	A22	12, 13, 14, 15, 16, 17	9/16	7-16	340	2.09	36V2.5Ah
LTV-60SW-A23	A23	16, 17, 18, 19	9/16	29-59	110	2.58	36V2.5Ah
LTV-60SW-A23H	A23	16, 17, 18, 19	9/16	9-19	540	2.55	36V2.5Ah
LTV-60SW-A24	A24	19, 20, 21, 22, 23, 24	3/4, 7/8	39-77	70	2.85	36V2.5Ah
LTV-60SW-A24H	A24	19, 20, 21, 22, 23, 24	3/4, 7/8	11.5-24	420	2.72	36V2.5Ah
LTV-60SW-A25	A25	25, 26, 27, 28, 29, 30	1(1/8)	62-96	50	3.07	36V2.5Ah
LTV-60SW-A25H	A25	25, 26, 27, 28, 29, 30	1(1/8)	14.5-30	330	2.94	36V2.5Ah
LTV-80SW-A24H	A24	19, 20, 21, 22, 23, 24	3/4, 7/8	14.5-30	240	2.72	36V2.5Ah
LTV-100SW-A25H	A25	25, 26, 27, 28, 29, 30	1(1/8)	24-45	140	2.94	36V2.5Ah

Battery Shut-off Clutch Tool - Inner Stationary & Outer Rotating Series

Especially suitable for the assembly of shock absorbers



MODEL	Torque Nm	Free Speed r/min	Special Head	Across Flats of Socket	Length (without battery)	Weight kg (without battery)	Voltage V	Order Number
LTV-40SC-60E	20-45	200	60E	10-17	488	2.11	36V2.5Ah	5E208040000
LTV-40SC-80E	45-80	140	80E	15-22	502	2.55	36V2.5Ah	5E218040000
LTV-40SC-100E	60-100	100	100E	15-22	545	3.38	36V2.5Ah	5E228040000



Note: For internal hexagon and internal Torx bolts, use a Hex 1/4" bit.

Special Head	A	B	C	D	H	Across Flats Size of Socket AF	Order Number
60E	20	57.2	39	26	30	10-17	5E201400000
80E	22	65.5	35.5	30	30	15-22	5E211400000
100E	25.5	73	40	35	30	15-22	5E221400000

- When ordering inner-stationary and outer-rotating tools or special heads, it is necessary to select matching nut sockets and bolt fixing rods according to the actual bolts and nuts, and clearly note the required specification and size on the order form.
- Special heads can also be customized as needed. For details, please consult the manufacturer.

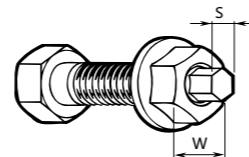
For example:

Special Head	Across Flats Size of Nut Socket	Telescopic Length	Bolt Type	Width Across Flats of Bolt Fixing Rod
60E	13	30	External Hexagon	6
80E	21	30	Double - plane	8×6
100E	17	30	Internal Hexagon	4

■ Select the matching bolt fixing rod according to the actual bolt type and size

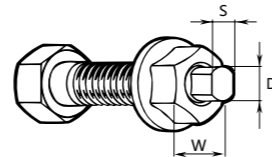
Bolt Fixing Rod (External Hexagon)

Across Flats S mm	Across Flats of Socket W mm	Telescopic Length mm
4	10-17	30
5	15-22	30
6	15-22	30
7	15-22	30



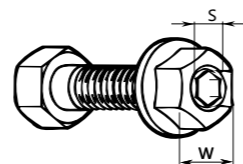
Bolt Fixing Rod (Double - plane)

Diameter D mm	Across Flats S mm	Across Flats of Socket W mm	Telescopic Length mm
6.6	5	10-17	30
7	5	10-17	30
8	6	15-22	30
8	6.3	15-22	30
9.55	7.6	15-22	30
11.2	8.9	15-22	30



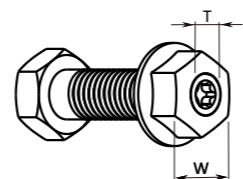
Optional Bit (Internal Hexagon)

Across Flats S mm	Across Flats of Socket W mm	Telescopic Length mm
2-5	10-17	30
2-7	15-22	30



Optional bit (Torx)

Across Flats S mm	Across Flats of Socket W mm	Telescopic Length mm
T6-T25	10-17	30
T6-T50	15-22	30



Accessories



Lithium Battery (Thin Type)

MODEL	TLA-18
Voltage	18V
Capacity	2.5Ah
Weight	0.43Kg
Order Number	3P21260000



Lithium Battery (Thick Type)

MODEL	TLA-36-A
Voltage	36V
Capacity	2.5Ah
Weight	0.68Kg
Order Number	3P512590001



Charger

MODEL	TLA-1836V
Power Supply	AC100V-AC240V
Output Voltage	18/36V
Weight	0.6Kg
Order Number	3P512610000



Model Marking Color Ring

MODEL	Color Ring
LTV-40SC-7	Gray
LTV-40SC-15	Red
LTV-40SC-30	Orange
LTV-40SC-45	Green
LTV-40SC-60	Blus
LTV-40SC-80	White
LTV-40SC-100	Black

Battery oil pulse tool

PAT.P: Monitor the working status of the hydraulic pulse unit by detecting the supply voltage change of the battery.

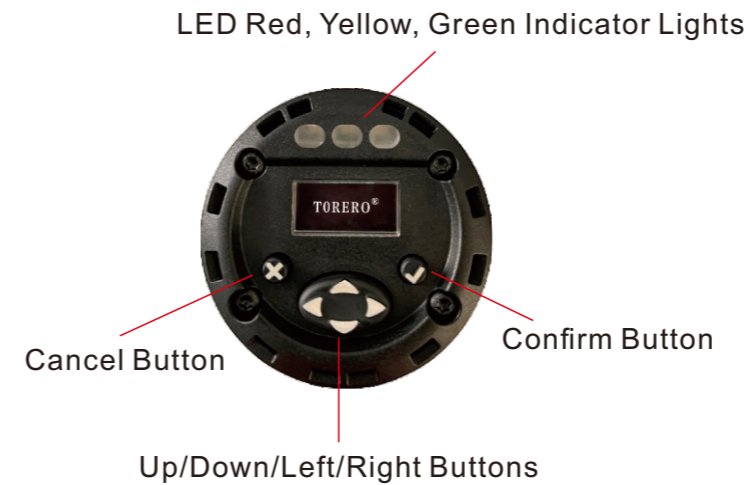
There is no speed reduction mechanism between the motor and the hydraulic pulse unit, avoiding impact vibration and greatly improving operating comfort.



The battery can be installed in both forward and reverse directions to adapt to environments with operational space interference.

MODEL	Head Dimensions in	Torque Range (Nm)		Free Speed r/min	Weight kg (without battery)	Voltage V
		Hard Connection	Soft Connection			
BET-40PH	1/4	10-23	3.5-8	3500	1.16	18V3.0Ah
BET-50PH	1/4	14-30	6-16	4000	1.16	18V3.0Ah
BET-60PH	1/4	20-40	13-34	4000	1.3	18V3.0Ah
BET-70PH	1/4	26-48	16-42	4000	1.5	18V3.0Ah
BET-40PD	3/8	11-25	4-10	3500	1.16	18V3.0Ah
BET-50PD	3/8	18-35	10-27	4000	1.16	18V3.0Ah
BET-60PD	3/8	25-45	13-40	4000	1.3	18V3.0Ah
BET-70PD	3/8	35-60	16-50	4000	1.5	18V3.0Ah
BET-80PD	1/2	57-80	38-60	4000	1.7	36V3.0Ah
BET-90PD	1/2	80-110	60-85	4000	2.1	36V3.0Ah

Button Operation Interface



Explanation of LED Status Indicator Lights:

- Green light on steadily: Tightening OK
- Red light on steadily: Tightening abnormal
- Yellow light on steadily: Low battery, replace the battery
- Red and green lights flashing: Reverse mode

Product Advantages

- The screen has gear settings, allowing for precise selection of the appropriate pulse number to adjust torque according to different application scenarios and combination methods.
- The electronic power - off method can greatly reduce the impact of the temperature rise of the hydraulic cylinder on the torque accuracy.
- No hand - shaking during use and no reaction force.
- Batch counting setting, effectively preventing the problem of missing locks.
- The rotation speed of the threading can be adjusted. Set the calibration locking threading rotation speed for bolts of different materials and lengths.
- The number of tool maintenance times can be set. When the maintenance times are reached, the display will remind the operator that the tool needs maintenance. The reminder can be stopped only after manual button confirmation.
- The tool model, serial number, and production date can be queried on the display.
- The number of correct tightening times, incorrect tightening times, and total tightening times of the tool can be queried on the display.
- Three - color irradiation light: The operator can more intuitively obtain the tightening status of the bolt from the color of the irradiation light.

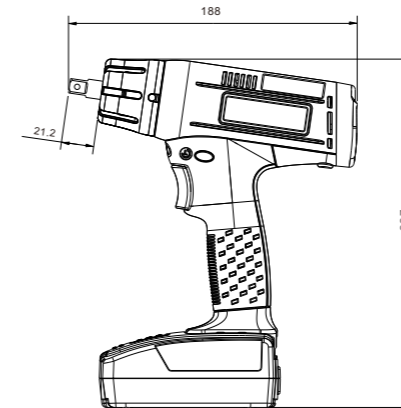
Accessories

Tool Protective Cover

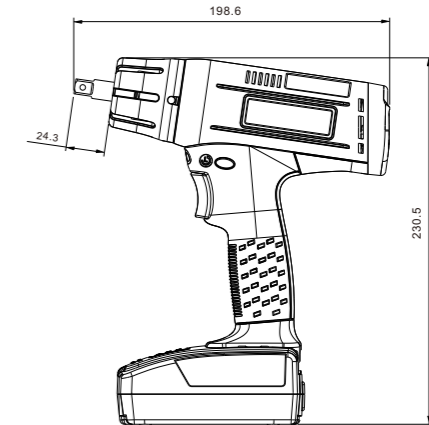


MODEL	Order Number
BET-40-50PD/PH	3P022500000
BET-60PD/PH	3P042500000
BET-70PD/PH	3P062500000
BET-80PD	3P082500000
BET-90PD	3P102500000

Size



BET-40/50PD



BET-60PD

Battery



TLA-18-B

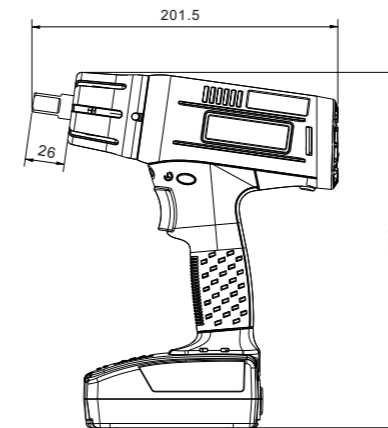


TLA-18-A

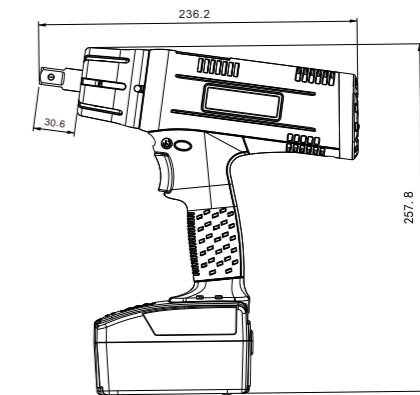


TLA-36

MODEL	Voltage V	Capacity Ah	Weight kg	Order Number
TLA-18-B	18	3.0	0.43	3P212590001
TLA-18-A	18	5.0	0.65	3P212590000
TLA-36	36	3.0	0.65	3P512590000



BET-70PD



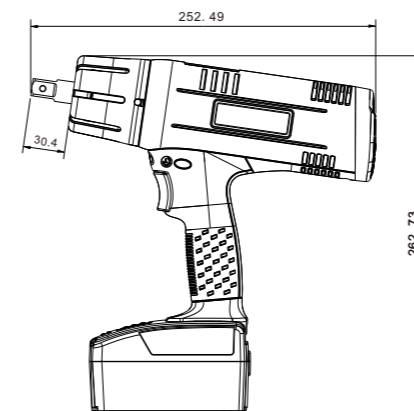
BET-80PD

Charger



TLA-1836V

MODEL	Power Supply	Output Voltage	Weight kg	Order Number
TLA-1836V	AC100V-AC240V	18/36V	0.6	3P512610000



BET-90PD

Battery impact tool



The battery can be installed in both forward and reverse directions to adapt to the working environment with operational space interference.

Automatic shut- off impact tools

MODEL	Head Dimensions in	Torque Nm	Free Speed r/min	Weight kg (without battery)	Voltage V
BCT-201PH	1/4	20-60	2200	1.08	18V2.5Ah
BCT-202PD-1	3/8	25-80	2000	1.08	18V2.5Ah
BCT-202PD	1/2	30-100	2000	1.1	18V2.5Ah
BCT-203PD	1/2	80-170	1800	1.53	36V2.5Ah

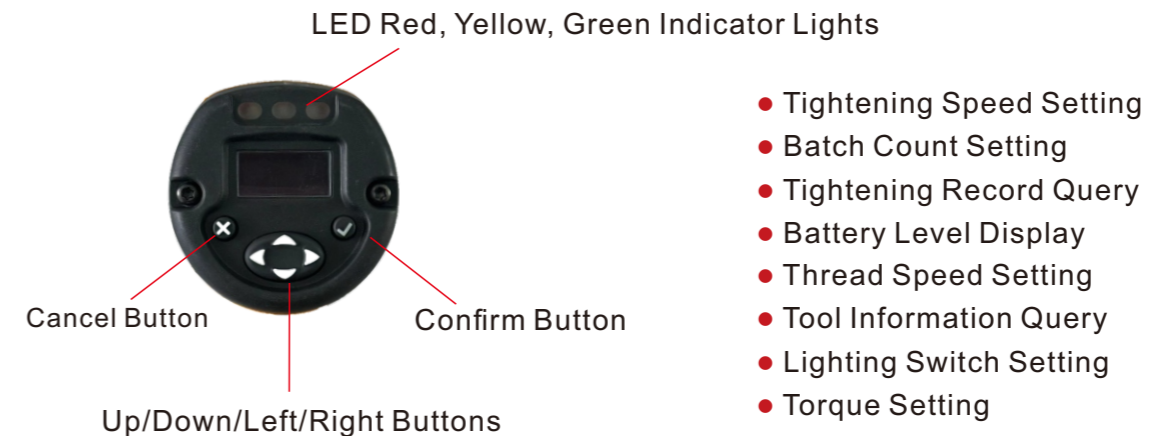
Non shut-off impact tools

MODEL	Head Dimensions in	Torque Nm	Free Speed r/min	Weight kg (without battery)	Voltage V
BCN-201PH	1/4	80	2200	1.08	18V2.5Ah
BCN-202PD-1	3/8	100	2000	1.08	18V2.5Ah
BCN-202PD	1/2	120	2000	1.1	18V2.5Ah
BCN-203PD	1/2	180	1800	1.53	36V2.5Ah

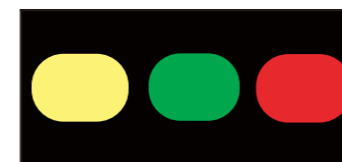


Product Features	BCN	BCT
Impact torque - setting tool achieves extremely high tool efficiency while controlling quality.	●	●
Large - capacity power battery cells provide long - duration battery life and power.	●	●
Can be set to tighten in clockwise and counterclockwise directions, with torque set separately for each.		●
Can set the number of batches; an audio prompt will sound after reaching the preset number of locks.		●
Can be set to 50 different torque levels.		●

BCT Button Operation Interface



Explanation of LED Status Indicator Lights:



- A steady yellow light indicates that the battery level is low, prompting the operator to replace the battery.
- A steady green light indicates that tightening is OK and the set torque value is reached; A steady green light accompanied by a long “beep” sound means that the number of normal tightenings has reached the quantity set by the batch count setting.
- A steady red light accompanied by a long “beep” sound indicates abnormal tightening or a tool malfunction.
- ● Alternating flashing of red and green lights indicates that the tool is in reverse mode.

Accessories

Tool Protective Cover



MODEL	Order Number
BCT-201PH	38352500000
BCT-202PD-1	38362500000
BCT-202PD	38372500000
BCT-203PD	38382500000
BCN-201PH	38462500001
BCN-202PD-1	38472500001
BCN-202PD	38482500001
BCN-203PD	38542500001

Battery



Lithium Battery (Thin Type)



Lithium Battery (Thick Type)



MODEL	TLA-18	TLA-18-A	TLA-36-A
Voltage	18V	18V	36V
Capacity	2.5Ah	5.0Ah	2.5Ah
Weight	0.43Kg	0.68Kg	0.68Kg
Order Number	3P212600000	3P212590000	3P512590001

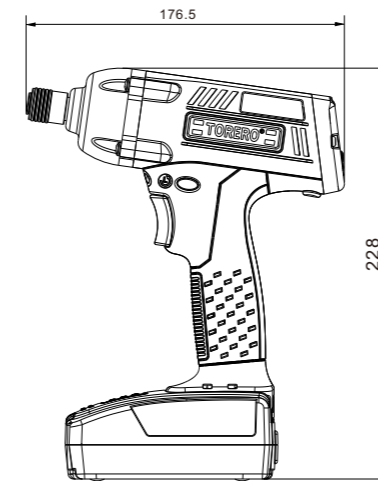
Charger



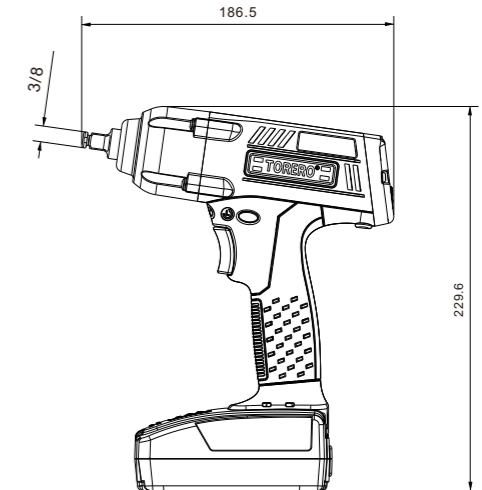
TLA-1836V

MODEL	Power Supply	Output Voltage	Weight kg	Order Number
TLA-1836V	AC100V-AC240V	18/36V	0.6	3P512610000

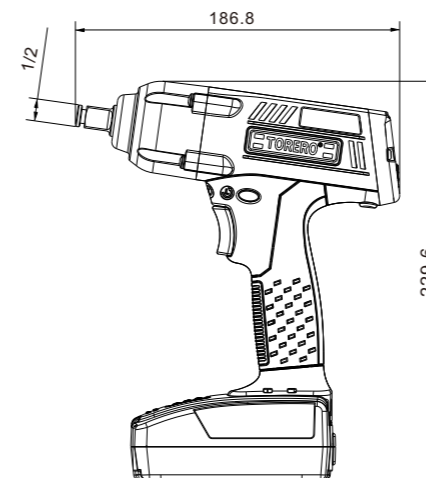
Size



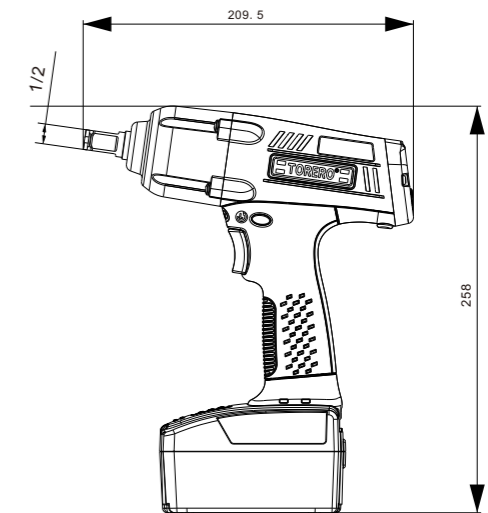
BCT-201PH



BCT-202PD-1



BCT-202PD



BCT-203PD

RE-BOX-D1 Bluetooth Transmission Controller

The wireless transmission controller is a device used for wireless Bluetooth communication with tools, which can transmit tool information to the factory system through wired communication.

Equipped with a screen and buttons, allowing real - time viewing of tool information.



MODEL: RE-BOX-D1

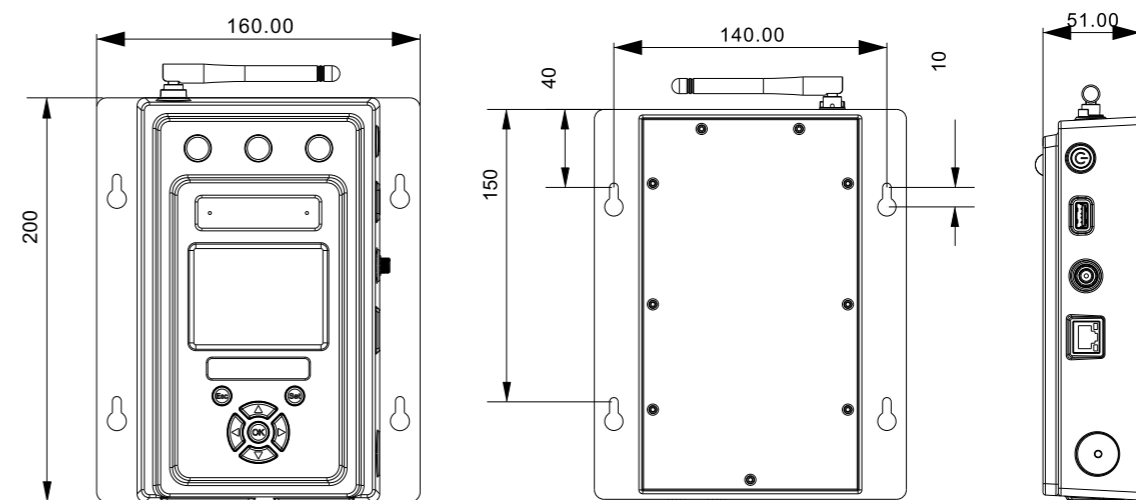
Product Functions (RE - BOX - D1 Controller)

Real - time wireless transmission communication

Tightening error and omission prevention

Power Input	Supports DC12V or 24V
Bluetooth Communication	Currently supports 1:1 wireless Bluetooth communication and pairing with tools
Network Port Communication	Integrates an RJ45 network port, supports network port communication
Serial Port Communication	Supports RS232 serial port communication
I/O Output	Includes 4 groups of 12 - core I/O outputs, supports output of normally open or normally closed signals (OK, NG, Batch Completion, Tool Connected)
Power Output	Supports DC12V or 24V output (varies with the input power supply)
P - Count	Anti - missing lock, error prompt, module quantity prompt

Installation Dimension Diagram



Bluetooth-Transmitted Electric Clutch Tool - Pistol Type



MODEL	Torque Range Nm	Drive Size	Free Speed r/min	Weight (kg) without battery	Length mm	Voltage V	Battery
LTB-40PH-2L	0.8-2.5	1/4	400(low speed)	1	220	18V2.5Ah	Lithium Battery
LTB-40PH-2	0.8-2.5	1/4	1500	1	220	18V2.5Ah	Lithium Battery
LTB-40PH-6	2.0-6.0	1/4	1000	1	220	18V2.5Ah	Lithium Battery
LTB-40PH-8	3.0-8.0	1/4	800	1	220	18V2.5Ah	Lithium Battery
LTB-40PH-12	5.0-12.0	1/4	600	1	220	18V2.5Ah	Lithium Battery
LTB-40PH-12H	5.0-12.0	1/4	800(high speed)	1	220	18V2.5Ah	Lithium Battery
LTB-40PH-12L	5.0-12.0	1/4	200(low speed)	1	220	18V2.5Ah	Lithium Battery
LTB-40PD-15	5.0-15.0	3/8	600	1	220	18V2.5Ah	Lithium Battery
LTB-40PD-15L	5.0-15.0	3/8	200 (For Low - Speed Hose Clamps Only)	1	220	18V2.5Ah	Lithium Battery

Bluetooth-Transmitted Electric Clutch Tool - Angle Type



MODEL	Torque Range Nm	Drive Size	Free Speed r/min	Weight (kg) without battery	Length mm	Voltage V	Battery
LTB-40SC-2	1-1.8	3/8	800	1.15	417	18V2.5Ah	Lithium Battery
LTB-40SC-7	1.8-7	3/8	800	1.15	417	18V2.5Ah	Lithium Battery
LTB-40SC-15	4-15	3/8	500	1.15	417	18V2.5Ah	Lithium Battery
LTB-40SC-30	10-30	3/8	250	1.72	477	36V2.5Ah	Lithium Battery
LTB-40SC-45	20-45	3/8	200	1.72	487	36V2.5Ah	Lithium Battery
LTB-40SC-60	35-60	1/2	180	2.17	501	36V2.5Ah	Lithium Battery
LTB-40SC-80	45-80	1/2	140	2.17	501	36V2.5Ah	Lithium Battery
LTB-40SC-100	55-100	1/2	100	2.17	501	36V2.5Ah	Lithium Battery
LTB-40SCH-2	1-1.8	1/4	800	1.15	417	18V2.5Ah	Lithium Battery
LTB-40SCH-7	1.8-7	1/4	800	1.15	417	18V2.5Ah	Lithium Battery
LTB-40SCH-15	4-15	1/4	500	1.15	417	18V2.5Ah	Lithium Battery
LTB-40SCH-30	10-30	1/4	250	1.72	477	36V2.5Ah	Lithium Battery

Bluetooth-Transmitted Electric Hydraulic Pulse Tool



MODEL	Head Dimensions in	Torque Range (Nm) Hard Connection	Soft Connection	Free Speed r/min	Weight kg (without battery)	Voltage V
BER-40PH	1/4	10-23	3.5-8	3500	1.16	18V3.0Ah
BER-50PH	1/4	14-30	6-16	4000	1.16	18V3.0Ah
BER-60PH	1/4	20-40	13-34	4000	1.3	18V3.0Ah
BER-70PH	1/4	26-48	16-42	4000	1.5	18V3.0Ah
BER-40PD	3/8	11-25	4-10	3500	1.16	18V3.0Ah
BER-50PD	3/8	18-35	10-27	4000	1.16	18V3.0Ah
BER-60PD	3/8	25-45	13-40	4000	1.3	18V3.0Ah
BER-70PD	3/8	35-60	16-50	4000	1.5	18V3.0Ah
BER-80PD	1/2	57-80	38-60	4000	1.7	36V3.0Ah
BER-90PD	1/2	80-110	60-85	4000	2.1	36V3.0Ah

Bluetooth-Transmitted Electric Impact Torque-Setting Tool



MODEL	Head Dimensions in	Torque Range Nm	Free Speed r/min	Weight kg (without battery)	Voltage V
BCR-201PH	1/4	6-40	2000	1.08	18V2.5Ah
BCR-202PD-1	3/8	15-60	2000	1.08	18V2.5Ah
BCR-202PD	1/2	30-100	2000	1.1	18V2.5Ah
BCR-203PD	1/2	80-170	1800	1.53	36V2.5Ah

BM-100 Controller

The BM-100 Controller adopts a stable and excellent software platform and is equipped with an 8-inch high-definition touch display screen, featuring simple operation and extremely high efficiency.



Simple and Efficient

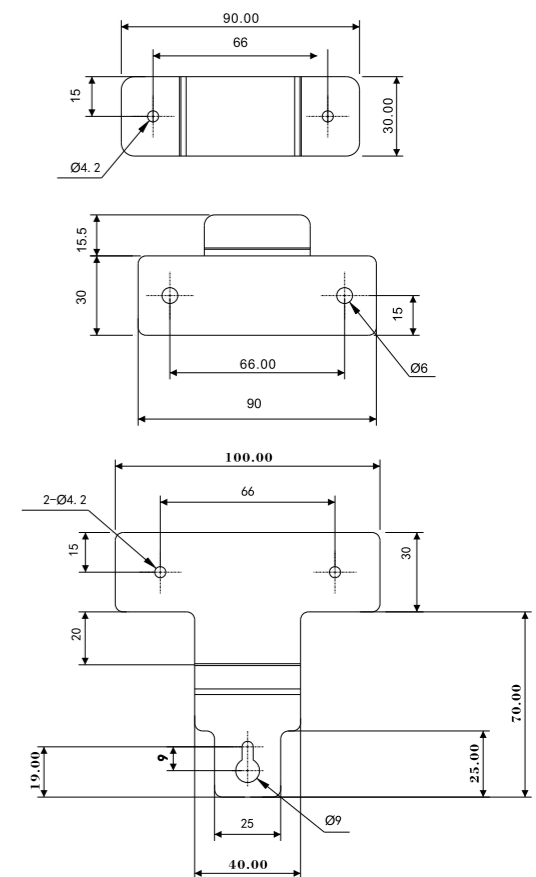
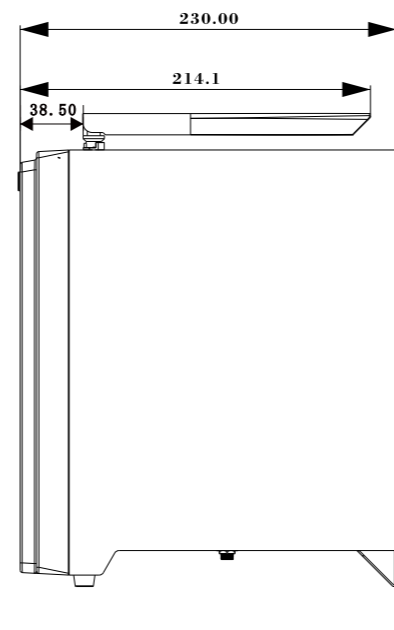
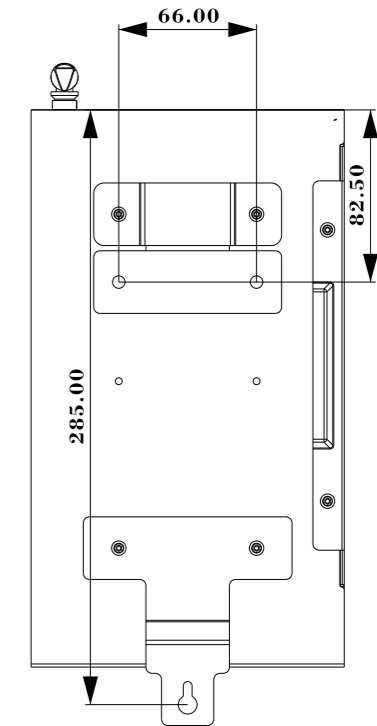
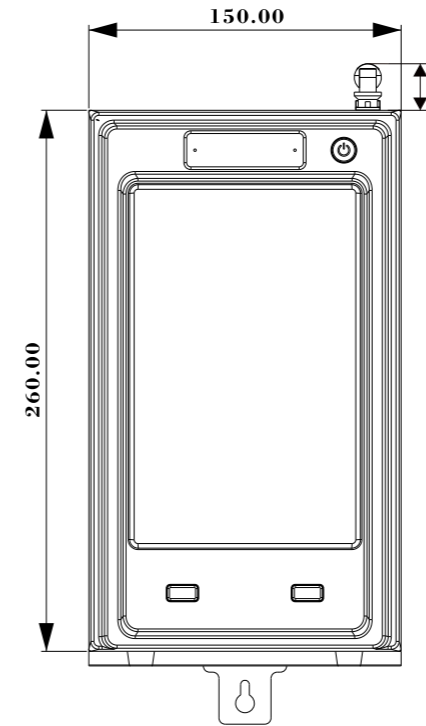
Comprehensive Functions

Flexible Application

Function

8-inch Touch Screen	Tightening Curve Collection
Storage Capacity of Up to 1 Million Tightening Data	JOB Function
Storage Capacity of Up to 1 Million Tightening Curves	99 Pset Built-in the Tool
Single Network Port	API Interface for Obtaining Tightening Data
3 USB Interfaces	Support Login for Users with Different Permissions
Support Virtual Workstation Management to Connect Up to 6 Tools	Tightening Position Prompt in Station Operation Diagram
Ethernet	Custom Protocol
WiFi	Op Protocol

Installation Dimension Drawing



Cordless Sensor Tool - Pistol type

Comparability, low reaction force, and high precision



lithium - ion battery

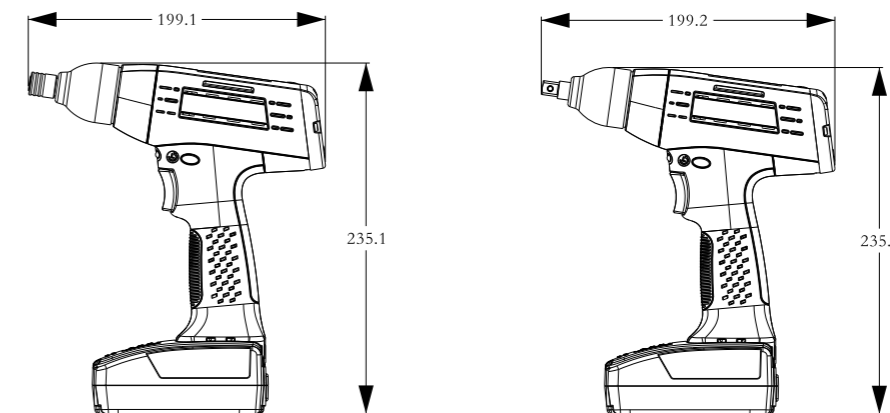
The display screen and buttons at the rear end of the tool can perform programming functions.



Torque Control	Sensor Parameter Setting
Angle Control	Batch Count
Quick Switch of Tightening Programs	Tool Information Query
99 Groups of Pset Can Be Preset	System Setting
Tightening Results	Torque and Angle Judgment Results 100ps





Function Introduction

- WiFi wireless transmission function
- Multifunctional indicator light for timely tool status display
- The tool is equipped with a high - definition display screen for quick programming and result checking
- Closed - loop control of torque, speed, and rotation angle to ensure tightening precision and traceable results
- 99 tightening programs
- The tool can edit parameters via the panel or controller for quick switching of tightening strategies
- Visual torque verification on the display screen
- Switchable between Chinese and English operation interfaces



Explanation of LED Indicator Lights



-  A constant yellow light indicates low battery power, prompting the operator to replace the battery.
-  A green light indicates that tightening is OK and the set torque value is reached. A green light accompanied by a long “beep” sound means the number of normal lockings has reached the quantity set for batch counting.
-  A red light accompanied by a long “beep” sound indicates abnormal locking or a tool malfunction.
-  Alternating flashing of red and green lights indicates that the tool is in reverse rotation status.

BST Sensor Tool - Pistol Type



1/4 Bit



3/8 Square Drive

Standalone Series

MODEL	Torque Range Nm	Drive Size	Free Speed r/min	Weight (kg) without battery	Length mm	Voltage V	Battery
BST-20PH-4	0.8-4	1/4	1500	1.1	199	18V2.5Ah	Lithium Battery
BST-20PD-4	0.8-4	3/8	1500	1.1	199	18V2.5Ah	Lithium Battery
BST-20PH-8	1.6-8	1/4	1150	1.1	199	18V2.5Ah	Lithium Battery
BST-20PD-8	1.6-8	3/8	1150	1.1	199	18V2.5Ah	Lithium Battery
BST-20PH-12	2.4-12	1/4	800	1.1	199	18V2.5Ah	Lithium Battery
BST-20PD-12	2.4-12	3/8	800	1.1	199	18V2.5Ah	Lithium Battery
BST-20PH-18	3.6-18	1/4	550	1.1	199	18V3.0Ah	Lithium Battery
BST-20PD-18	3.6-18	3/8	550	1.1	199	18V3.0Ah	Lithium Battery
BST-20PD-24	4.8-24	3/8	450	1.1	199	18V3.0Ah	Lithium Battery

WiFi Series

MODEL	Torque Range Nm	Drive Size	Free Speed r/min	Weight (kg) without battery	Length mm	Voltage V	Battery
BST-20PH-4W	0.8-4	1/4	1500	1.1	199	18V2.5Ah	Lithium Battery
BST-20PD-4W	0.8-4	3/8	1500	1.1	199	18V2.5Ah	Lithium Battery
BST-20PH-8W	1.6-8	1/4	1150	1.1	199	18V2.5Ah	Lithium Battery
BST-20PD-8W	1.6-8	3/8	1150	1.1	199	18V2.5Ah	Lithium Battery
BST-20PH-12W	2.4-12	1/4	800	1.1	199	18V2.5Ah	Lithium Battery
BST-20PD-12W	2.4-12	3/8	800	1.1	199	18V2.5Ah	Lithium Battery
BST-20PH-18W	3.6-18	1/4	550	1.1	199	18V3.0Ah	Lithium Battery
BST-20PD-18W	3.6-18	3/8	550	1.1	199	18V3.0Ah	Lithium Battery
BST-20PD-24W	4.8-24	3/8	450	1.1	199	18V3.0Ah	Lithium Battery

BST Sensor Tool - Pistol Type (with Scanner)



Built - in Scanner

1/4 Bit



Built - in Scanner

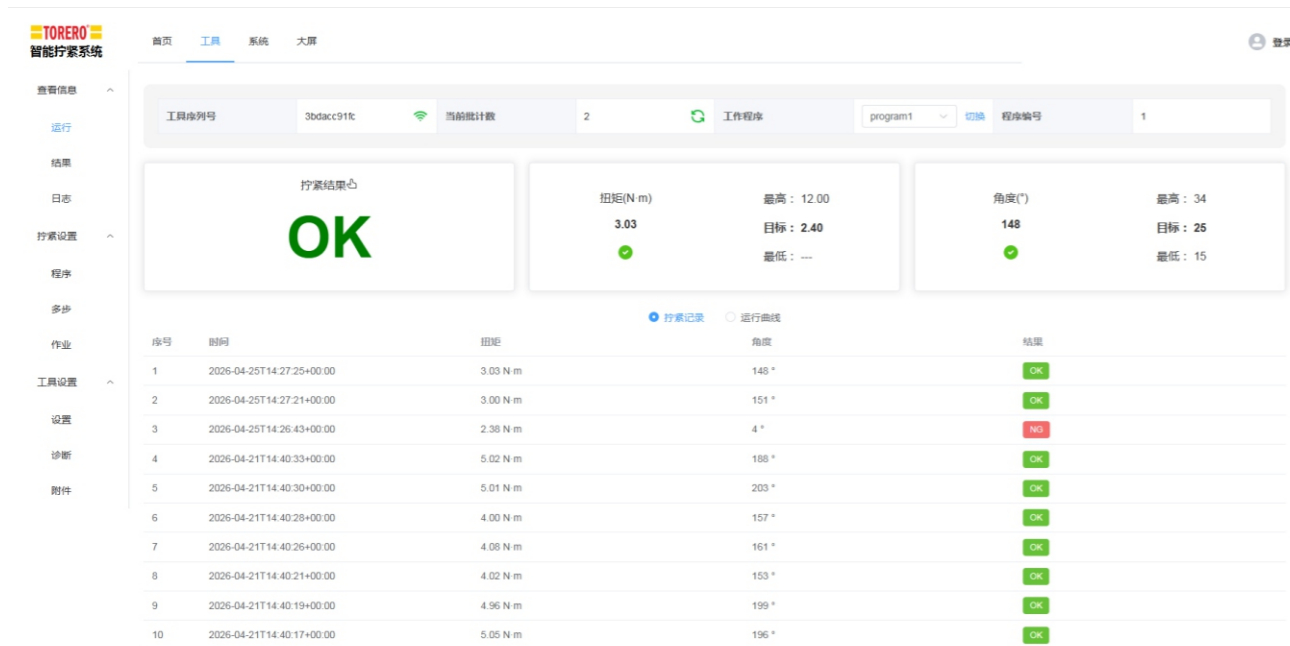
3/8 Square Drive

WiFi Series with Scanner

MODEL	Torque Range Nm	Drive Size	Free Speed r/min	Weight (kg) without battery	Length mm	Voltage V	Battery
BST-20PH-4S	0.8-4	1/4	1500	1.1	199	18V2.5Ah	Lithium Battery
BST-20PD-4S	0.8-4	3/8	1500	1.1	199	18V2.5Ah	Lithium Battery
BST-20PH-8S	1.6-8	1/4	1150	1.1	199	18V2.5Ah	Lithium Battery
BST-20PD-8S	1.6-8	3/8	1150	1.1	199	18V2.5Ah	Lithium Battery
BST-20PH-12S	2.4-12	1/4	800	1.1	199	18V2.5Ah	Lithium Battery
BST-20PD-12S	2.4-12	3/8	800	1.1	199	18V2.5Ah	Lithium Battery
BST-20PH-18S	3.6-18	1/4	550	1.1	199	18V3.0Ah	Lithium Battery
BST-20PD-18S	3.6-18	3/8	550	1.1	199	18V3.0Ah	Lithium Battery
BST-20PD-24S	4.8-24	3/8	450	1.1	199	18V3.0Ah	Lithium Battery

Cordless Sensor Tool - Pistol type(Web version)

Once the dedicated supporting software for the tool is installed and running on the server, you can access the system from any computer on the same network via a browser by simply entering the server IP address, to configure settings and receive tightening data from the tool.



Function Introduction

- The tool directly uploads data to the factory MES system via host computer software.
- Supports custom protocols and OP protocol.
- Streamlined link architecture for efficient direct data transmission.
- Full tightening process data traceability, with complete retention of tightening curves and torque values.

BST Sensor Tool - Pistol Type(Web version)



Web Version Series

MODEL	Torque Range Nm	Drive Size	Free Speed r/min	Weight (kg) without battery	Length mm	Voltage V	Battery
BST-20PH-4EW	0.8-4	1/4	1500	1.1	199	18V2.5Ah	Lithium Battery
BST-20PD-4EW	0.8-4	3/8	1500	1.1	199	18V2.5Ah	Lithium Battery
BST-20PH-8EW	1.6-8	1/4	1150	1.1	199	18V2.5Ah	Lithium Battery
BST-20PD-8EW	1.6-8	3/8	1150	1.1	199	18V2.5Ah	Lithium Battery
BST-20PH-12EW	2.4-12	1/4	800	1.1	199	18V2.5Ah	Lithium Battery
BST-20PD-12EW	2.4-12	3/8	800	1.1	199	18V2.5Ah	Lithium Battery
BST-20PH-18EW	3.6-18	1/4	550	1.1	199	18V3.0Ah	Lithium Battery
BST-20PD-18EW	3.6-18	3/8	550	1.1	199	18V3.0Ah	Lithium Battery
BST-20PD-24EW	4.8-24	3/8	450	1.1	199	18V3.0Ah	Lithium Battery

Web Version with Scanner Series

MODEL	Torque Range Nm	Drive Size	Free Speed r/min	Weight (kg) without battery	Length mm	Voltage V	Battery
BST-20PH-4ES	0.8-4	1/4	1500	1.1	199	18V2.5Ah	Lithium Battery
BST-20PD-4ES	0.8-4	3/8	1500	1.1	199	18V2.5Ah	Lithium Battery
BST-20PH-8ES	1.6-8	1/4	1150	1.1	199	18V2.5Ah	Lithium Battery
BST-20PD-8ES	1.6-8	3/8	1150	1.1	199	18V2.5Ah	Lithium Battery
BST-20PH-12ES	2.4-12	1/4	800	1.1	199	18V2.5Ah	Lithium Battery
BST-20PD-12ES	2.4-12	3/8	800	1.1	199	18V2.5Ah	Lithium Battery
BST-20PH-18ES	3.6-18	1/4	550	1.1	199	18V3.0Ah	Lithium Battery
BST-20PD-18ES	3.6-18	3/8	550	1.1	199	18V3.0Ah	Lithium Battery
BST-20PD-24ES	4.8-24	3/8	450	1.1	199	18V3.0Ah	Lithium Battery

Accessories



Reaction Assist Arm

Order Number	
Weight	181g
Order Number	3P714680000



Lithium Battery (Slim Version)
Configured for 4 - 12Nm

MODEL	TLA-18
Voltage	18V
Capacity	2.5Ah
Weight	0.43Kg
Order Number	3P212600000



Lithium Battery (Thick Version)
Configured for 4 - 24Nm

MODEL	TLA-18-A
Voltage	18V
Capacity	5.0Ah
Weight	0.68Kg
Order Number	3P212590000



Lithium Battery (Slim Version)
Configured for 18 - 24Nm

MODEL	TLA-18-B
Voltage	18V
Capacity	3.0Ah
Weight	0.43Kg
Order Number	3P212590001



Charger

MODEL	TLA-1836V
Power Supply	AC100V-AC240V
Output Voltage	18/36V
Weight	0.6Kg
Order Number	3P512610000

Special gear head

The TORERO special gear head is suitable for various narrow - space areas where ordinary tools are difficult to access, and transmits the torque required for tightening to the bolts in that area.

A closed - type special gear head is required when tightening bolts and nuts.
An open - type special gear head is required when tightening pipes and hoses.

- High precision: +/-6% (closed structure), +/-15% (open structure)
- Suitable for connecting to the unified housing of all electric clutch torque - setting tools and servo sensor tool interface types
- Highly modular
- Excellent ergonomic design

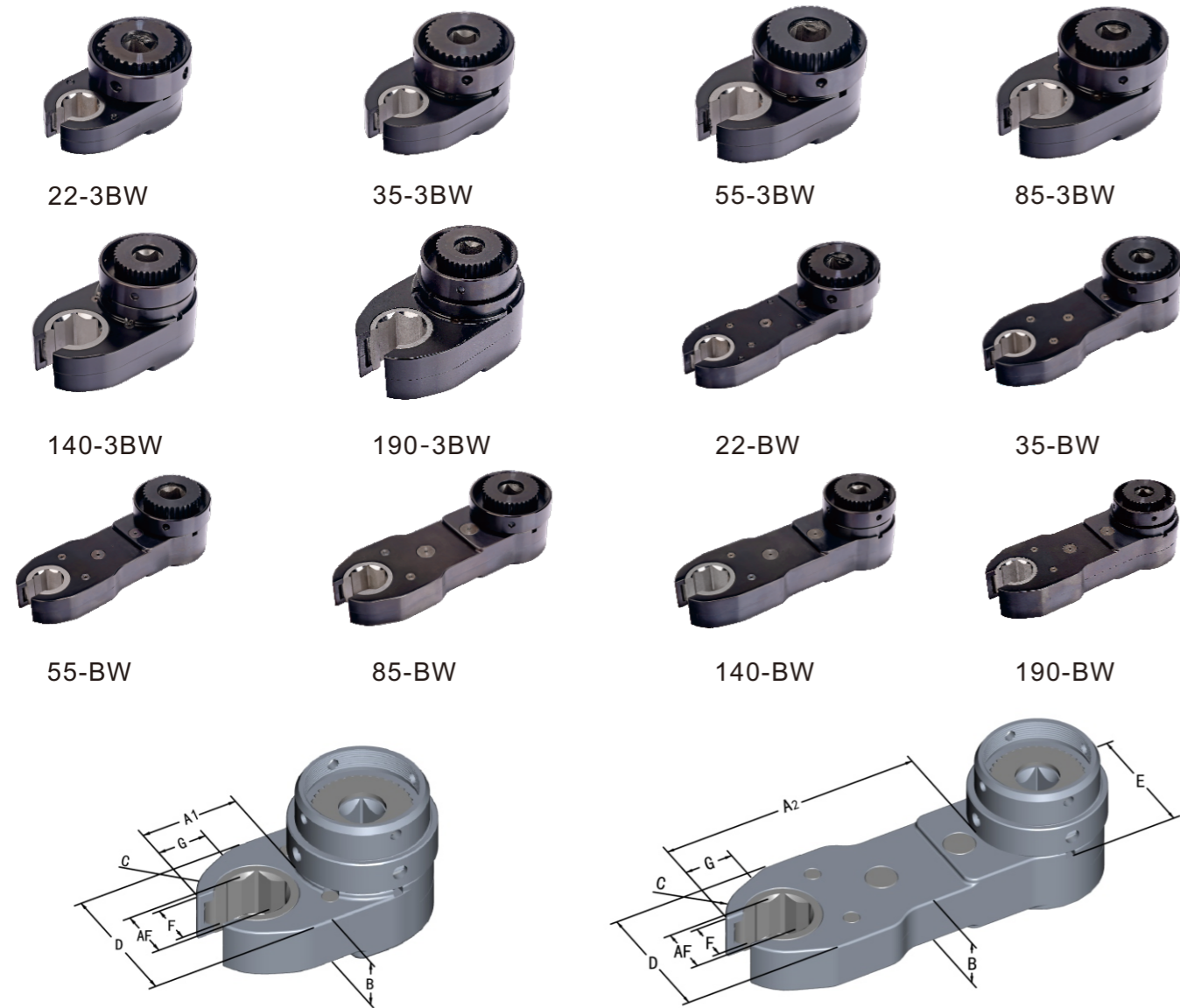
Open Special Head
Tightening of Pipe Nuts



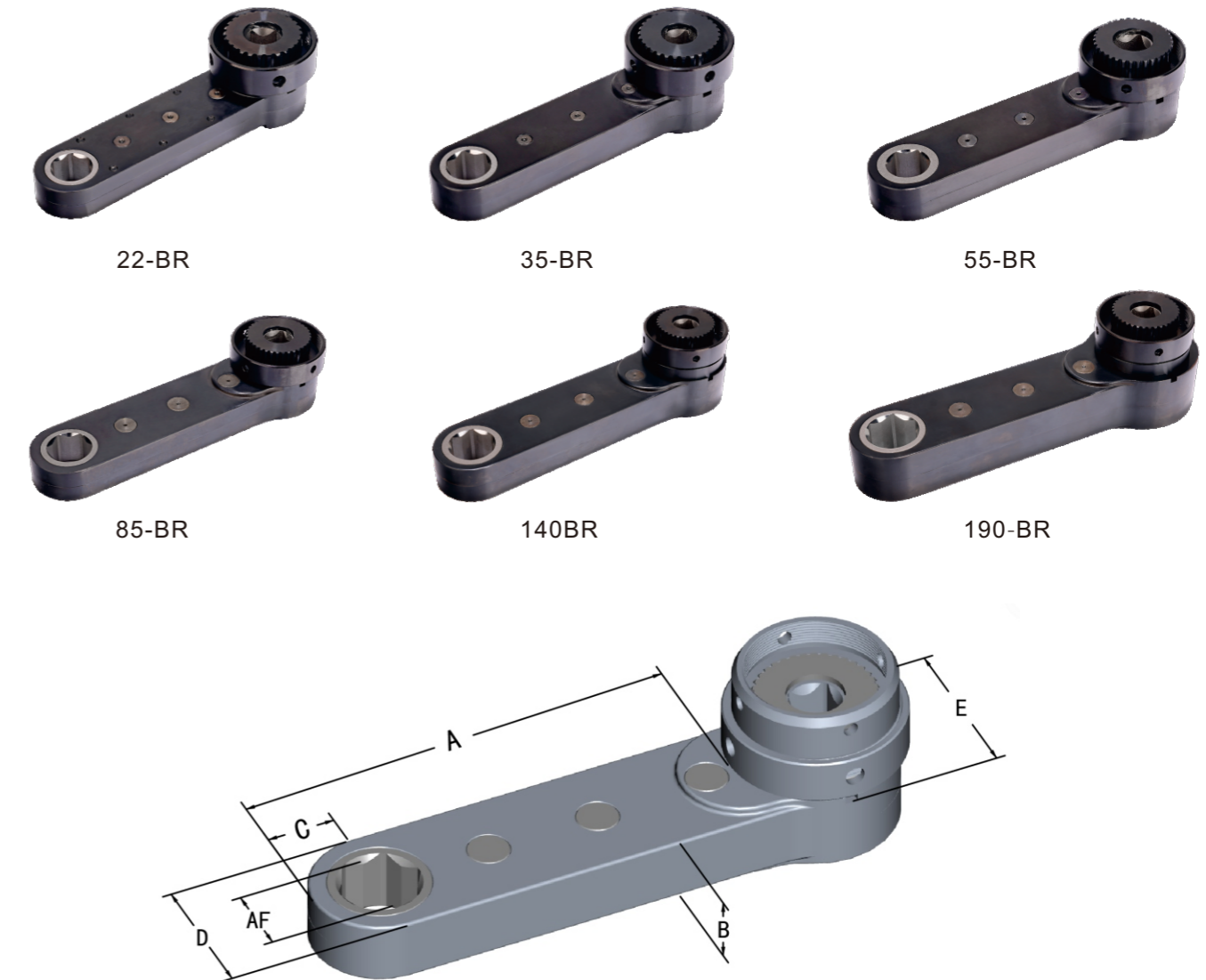
Closed Special Head
Tightening of Bolts and Nuts



Special Gear Head - Open End



Special Gear Head - Closed End



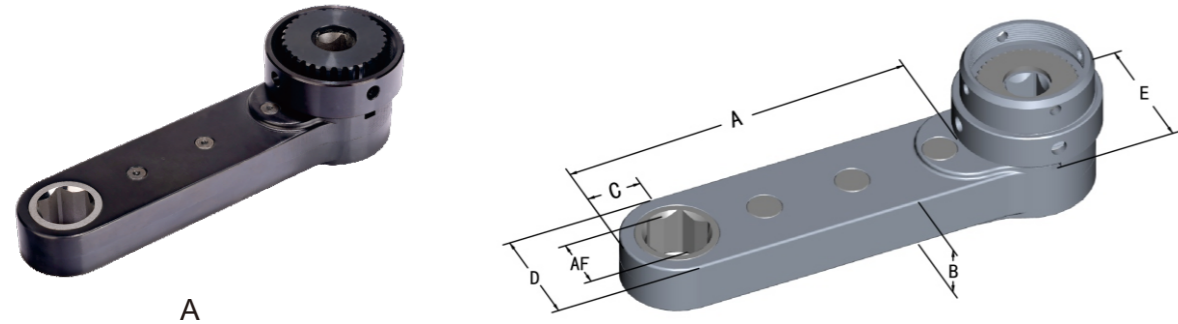
MODEL 22-3BW 22-BW 35-3BW 35-BW 55-3BW 55-BW 85-3BW 85-BW 140-3BW 140-BW 190-3BW 190-BW

A1 [mm]	21	-	26	-	29	-	36	-	44.5	-	44.5	-
A2 [mm]	-	63.5	-	74.5	-	87.5	-	106.5	-	125	-	122.5
B [mm]	12		15		18		20		25		30	
C [mm]	15		18		20		24		25		28	
D [mm]	33		42		44		56		56		64	
E [mm]	32		37		45		50		58		65	
F [mm]	7		9		13		17		17		21	
G [mm]	13		15		17		20		22.5		22.5	
AF [mm] Hexagon Dimensions	8-12		8-14		8-16		10-21		10-24		10-24	
Order Number	5112331201	5114331201	5102421501	5114331201	5132441801	5134441801	5142562001	5144562001	5142562501	5144562501	5142643001	5144643001

MODEL 22-BR 35-BR 55-BR 85-BR 140-BR 190-BR

A [mm]	76.5	89	109	133.5	155.5	151
B [mm]	12	15	18	20	25	30
C [mm]	12.5	14	17	21	23	22.5
D [mm]	25	28	34	42	46	45
E [mm]	32	37	45	50	58	65
AF [mm] Hexagon Dimensions	8-12	8-14	8-16	10-21	10-24	10-24
Order Number	5014251201	5024281501	5034341801	5044422001	5044462501	5044453001

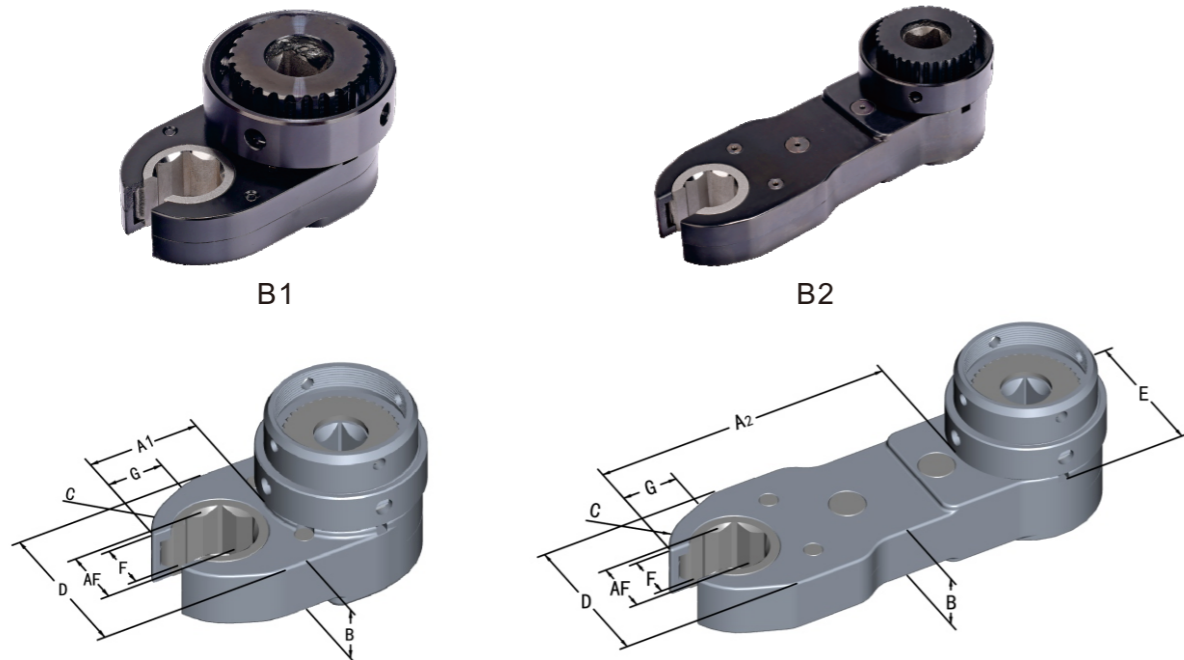
Special Gear Head - Closed End - Customized



Please fill in the parameters of the closed - mouth gear head in the table for customization.

Type	Torque Range	A (mm)	B (mm)	C (mm)	D (mm)	E (mm)	AF (mm)
A							

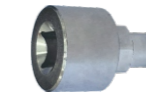
Special Gear Head - Open End - Customized



Please fill in the parameters of the open - mouth gear head in the table for customization.

Type	Torque Range	A1 (mm)	A2(mm)	B (mm)	C (mm)	D (mm)	E (mm)	F(mm)	G(mm)	AF (mm)
B1										
B2										

Torque testing equipment



Hard Joint

MODEL	CST-15	CST-30
Power Supply	5V	5V
Measurement Range	0.5-15Nm	1.0-30Nm
Bolt Specification	M8	M8
Order Number	5T026160000	5T026150000

- High-definition 4.4-inch color display screen, allowing you to view the tool tightening curve and historical tightening records.
- Capable of testing torque average value, maximum value, minimum value, difference value, pass rate, σ value, 3σ value, CM value, and CMK value.
- Three unit switching options: Nm, kgf.cm, lbt.ft.
- Three measurement modes:
 Measurement mode: Used for continuous measurement and calibration.
 Standard mode: Used for measuring clutch tools and servo sensor tools.
 Pulse mode: Used for detecting oil pressure pulse tools.
- Can detect torque in both forward and reverse directions.
- Can be equipped with a high-precision sensor, capable of detecting small-torque oil pressure pulse tools and clutch tools.
- Built-in high-performance lithium battery, enabling continuous use for more than 10 hours.
- Can be connected to a computer for data extraction, analysis report generation, and printing.

Simulator



MODEL	T02-1-M8	T02-2-M8	T02-3-M8
Bolt Specification	M8	M8	M8
Measurement Range	0.5-4Nm	2-12Nm	5-30Nm
Order Number	5T026140081	5T026140082	5T026140083

Simulated Bolt Test Bench

The simulated bolt test bench can provide torque precision testing for oil pressure pulse torque-setting tools, clutch tools, and electric servo tools.

- 10-inch high-definition LCD touch screen, intuitive and easy to operate.
- Test report export.
- Connect the panel to manage external dynamic torque sensors and USB interfaces.
- Torque curve display.
- Three static sensors: 5-50Nm, 20-200Nm, 50-500Nm.



MODEL	Hydraulic Measurement Range	Order Number	Remarks
Simulated Bolt Test Bench (HTD - 3280)	2.5Nm-500Nm	5T300000000	Including Static Sensor

Handheld Torque Tester

Accuracy: +/- 0.5% (at rated output)

Used for hand tools, torque tools, or rotation measurement applications.

Bidirectional torque measurement and angle measurement

Non-contact type

Rotation speed: 10000rpm

Compact design

Note: Do not use it for the inspection of pneumatic/electric impact tools!



MODEL	Name	Order Number
HM-ST-10	Handheld Torque Tester	5T406510000

MODEL	Square Drive Size	Torque Range Nm	Order Number
DF-20	1/4	1-20	5T136140000
DF-50	3/8	2.5-50	5T156140000
DF-100	1/2	5-100	5T176140000
DF-200	1/2	10-200	5T186140000
DF-500	3/4	25-500	5T196140000



Signal Cable

Name	Length	Order Number
Dynamic Sensor Cable	1.5M	5T186840000

Static Sensor Tester



- 7-inch high-definition LCD touch screen, intuitive and easy to operate.
- Test data can be exported in the form of an Excel spreadsheet.
- Torque curve display.
- USB interface.
- Power supply: 100V - 230V.
- Can be connected to a computer for data extraction, analysis, and report printing.

Accuracy: +/- 0.5% (at rated output)
 Used for torque inspection and adjustment of oil pressure pulse tools. (For discontinuous oil pressure pulses, an optional software simulator accessory is required.)
 Torque inspection of manual torque wrenches.
 Note: Do not use it for inspection of pneumatic/electric impact tools!

MODEL	Torque Test Range	Order Number	Remarks
MF01-200	10Nm-200Nm	52906510000	The controller is equipped with a 200N static torque test seat
MF02-500	25Nm-500Nm	52916510000	The controller is equipped with a 500N static torque test seat

Simulator Accessories

Static Sensor Soft - connection Simulator Accessories



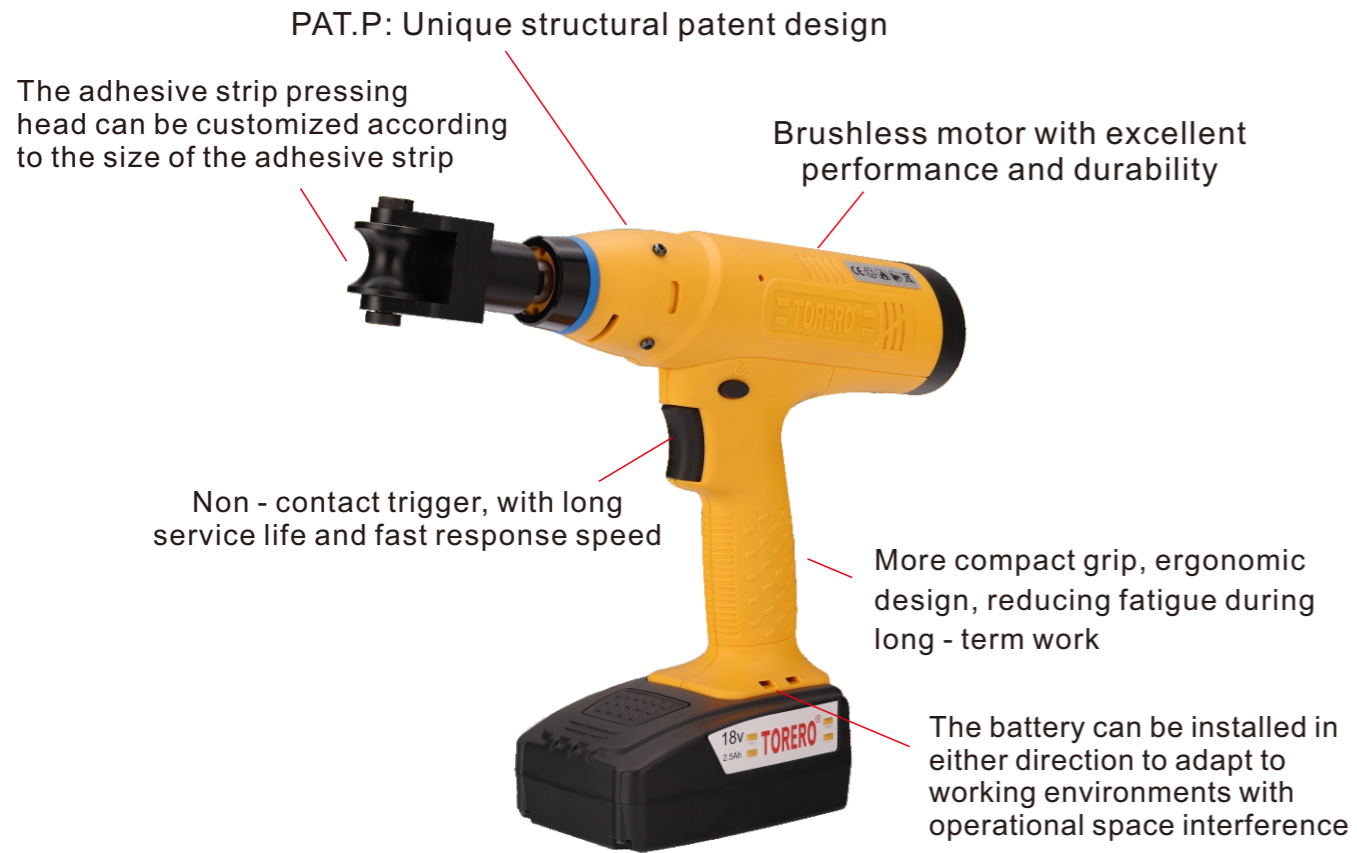
F01 - 200 Test Socket Simulator Set

MODEL	Bolt	Order Number
F01-M8	M8	5T046140081
F01-M10	M10	5T046140101
F01-M12	M12	5T046140121
F01-M14	M14	5T046140141

F01 - 500 Test Socket Simulator Set

MODEL	Bolt	Order Number
F02-M14	M14	5T036140141
F02-M16	M16	5T036140161
F02-M18	M18	5T036140181
F02-M20	M20	5T036140201

Battery rubber strip pressing tool



- Unique patented pressing design makes the adhesive strip pressing process easier and more stable.
- Impact frequency can be adjusted via the display screen buttons.
- Compact gun-type design for more comfortable operation.
- Large-capacity power battery cells provide long-lasting battery life and strong power.

MODEL	Pressing Head	Impact Frequency r/min	Weight (without battery) kg	Voltage V
ATV-102PK	Customize	900-1800	1.25	18V2.5Ah

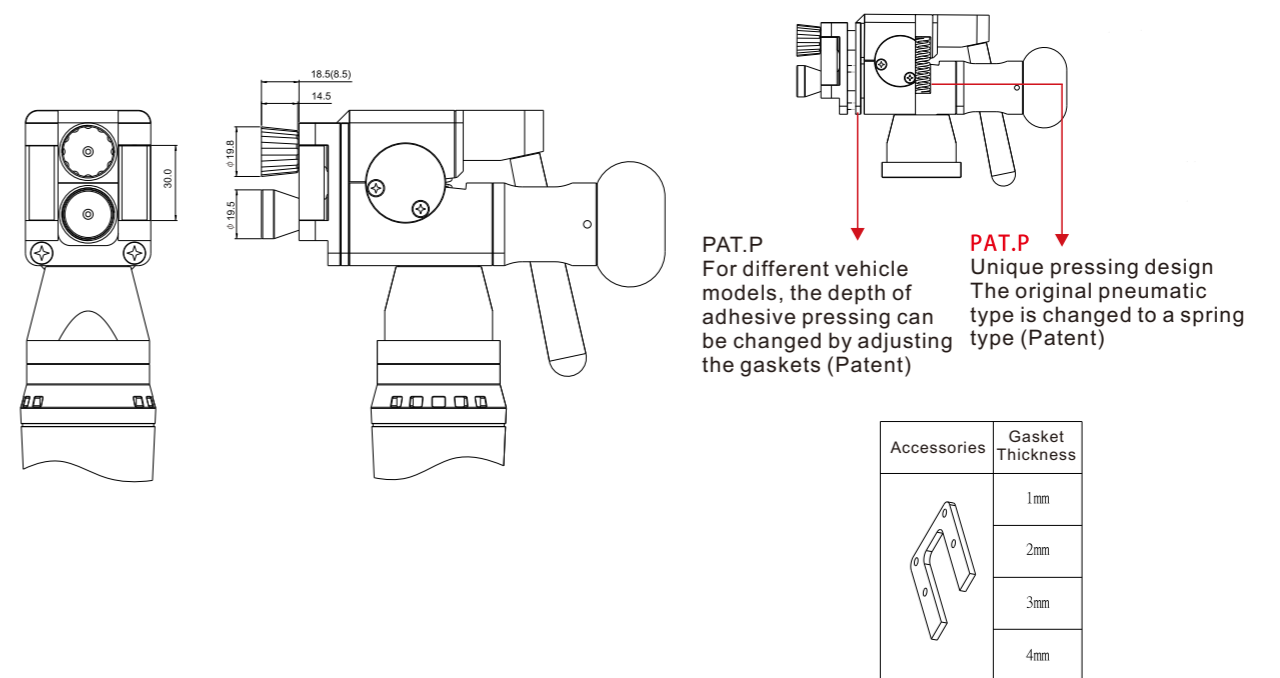
Cordless Adhesive Strip Tool - Straight-Handle Type



Flexible use in any 360° direction



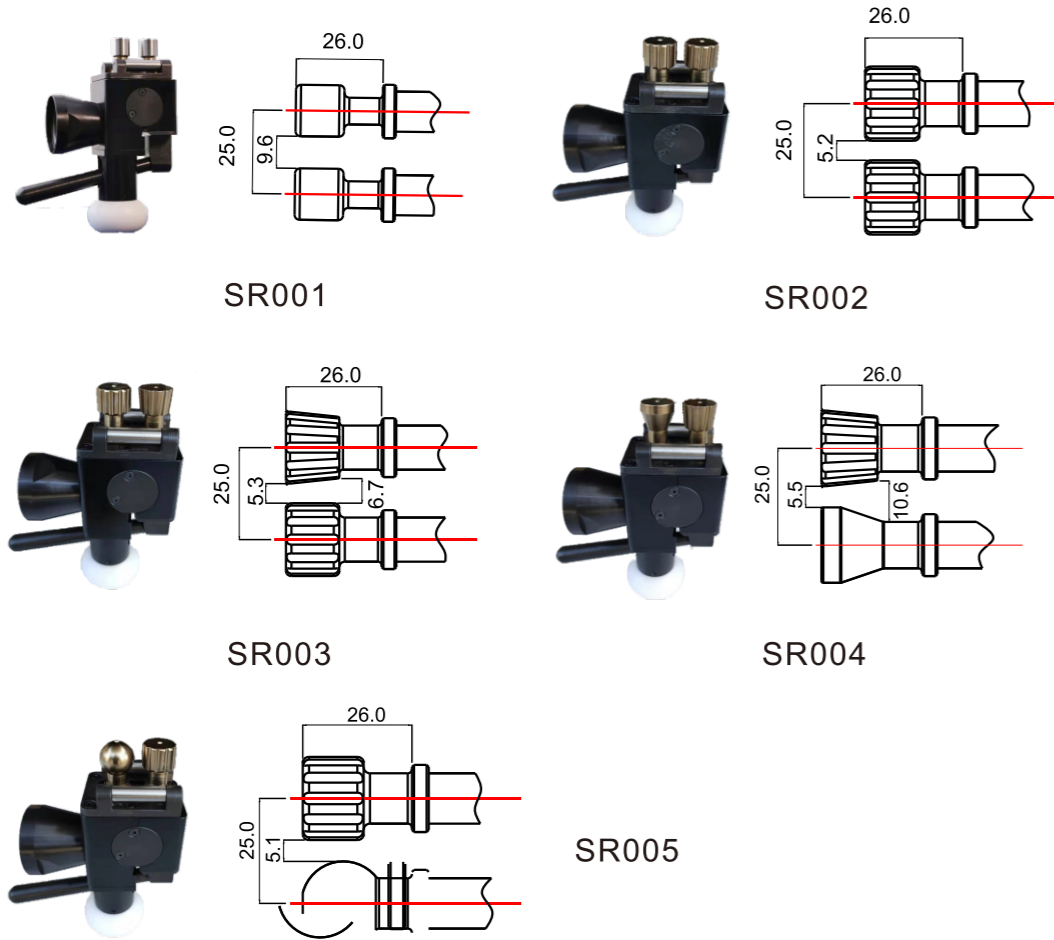
Model: ATV - 100SR Automobile Seal Strip Rolling Device



Accessories	Gasket Thickness
	1mm
	2mm
	3mm
	4mm

MODEL	Free Speed r/min	Weight (without battery) (including battery) kg	Length mm	Height mm	Voltage V	Battery
ATV-100SR	1200	1.95	320	165	12	Lithium Battery

Multiple types of adhesive pressing heads are suitable for pressing adhesive strips on different vehicle models



SR001

SR002

SR003

SR004

SR005

Accessories



Battery

MODEL	TL-71
Voltage	12V
Battery Capacity	2.0Ah
Weight	0.179Kg
Order Number	38325630000



Charger

MODEL	TL-12V
Power Supply	220-240V
Output Voltage	12V
Weight	0.502Kg
Order Number	38325640000

Cordless Adhesive Strip Tool - Angle Type



ATV-103SC

MODEL	Free Speed r/min	Weight (without battery) kg	Length (including battery) mm	Height mm	Voltage V	Battery
ATV-103SC	1100	1.86	370	175	12	Lithium Battery

Accessories



Battery

MODEL	BC-103-12V
Voltage	12V
Battery Capacity	2.0Ah
Weight	0.215Kg
Order Number	38531260000



Charger

MODEL	103-12V
Power Supply	220-240V
Output Voltage	12V
Weight	0.311Kg
Order Number	38532630000

Table of Tightening Torque Values for Standard Bolts

Torque (Nm) \ Bolt Grade	3.6	4.6	4.8	5.8	8.8	10.9	12.9
M2	0.10	0.13	0.17	0.22	0.35	0.49	0.58
M3	0.35	0.46	0.61	0.77	1.20	1.70	2.10
M4	0.81	1.10	1.40	1.80	2.90	4.00	4.90
M5	0.60	2.20	2.95	3.60	5.70	8.10	9.70
M6	2.80	3.70	4.90	6.10	9.80	14.0	17.0
M8		8.9	10.5	15	24	33	40
M10		17	21	29	47	65	79
M12		30	36	51	81	114	136
M14		48	58	80	128	181	217
M16		74	88	123	197	277	333

Torque (Nm) \ Bolt Grade	4.6	4.8	5.8	8.8	10.9	12.9
M18	103	121	172	275	386	463
M20	144	170	240	385	541	649
M22	194	230	324	518	728	874
M24	249	295	416	665	935	1120
M27	360	435	600	961	1350	1620
M30	492	590	819	1310	1840	2210
M36	855	1030	1420	2280	3210	3850
M42	1360		2270	3640	5110	6140
M45	1690		2820	4510	6340	7610
M48	2040		3400	5450	7660	9190

Unit Conversion Table

Torque Unit Conversion

UNIT	Ncm	Nm	kgf.cm	kgf.m	lbf.in	lbf.ft
Ncm	1	0.01	0.102	0.00102	0.008851	0.007376
Nm	100	1	10.2	0.102	8.8	0.74
kgf.cm	9.807	0.09807	1	0.01	0.868	0.07233
kgf.m	980.7	9.807	100	1	86.8	7.233
lbf.in	11.3	0.113	1.152	0.01152	1	0.08333
lbf.ft	135.6	1.356	13.83	0.1383	12	1

Power Unit Conversion

UNIT	kw	kgf m/s	PS	HP
kw	1	102	1.36	1.341
kgf m/s	0.009807	1	0.01333	0.01313
PS	0.7355	75	1	0.9863
HP	0.7457	76.04	1.014	1